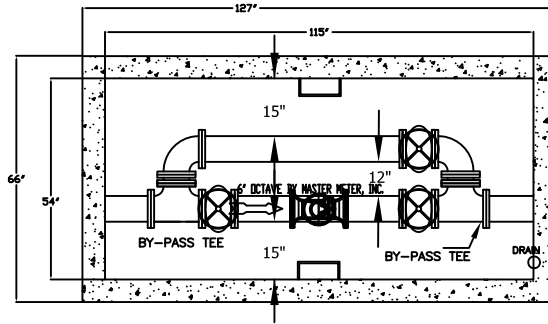
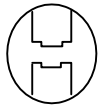


### Top View



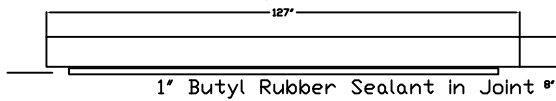
4' x 6' VAULT DOOR, DOUBLE LEAF, ALUMINUM, TRAFFIC RATED  
 HALLIDAY PRODUCTS COMPANY  
 US FOUNDRY AND MANUFACTURING, CO.  
 THE BILCO COMPANY

Top to receive Rings /  
 Covers, Aluminum Hatches  
 or as required



All Joints  
 to receive  
 1" Butyl  
 Rubber  
 Sealant

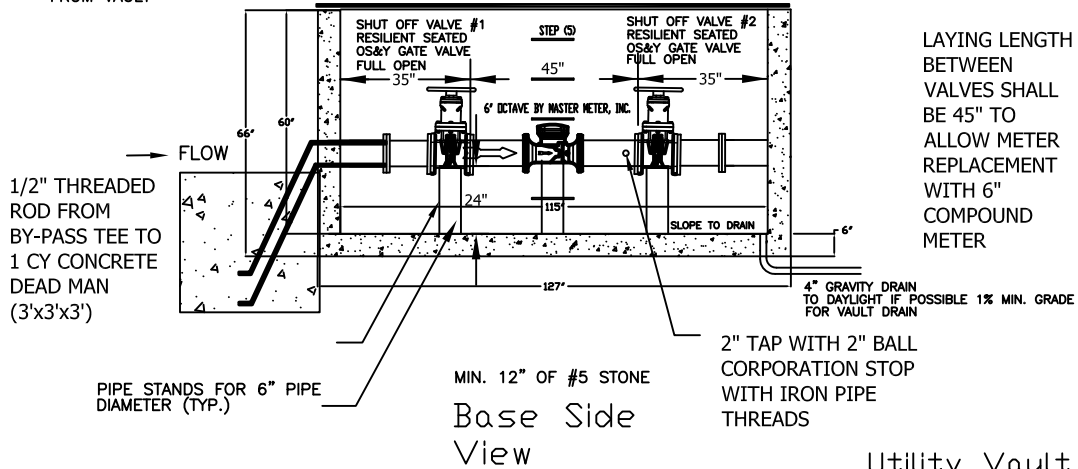
6"  
 setback  
 to  
 secure  
 Top



### Top Side View

GRADE SHALL SLOPE  
 FROM VAULT

1" Butyl Rubber Sealant in Joint



LAYING LENGTH  
 BETWEEN  
 VALVES SHALL  
 BE 45" TO  
 ALLOW METER  
 REPLACEMENT  
 WITH 6"  
 COMPOUND  
 METER

Utility Vault Model # 375  
**Manufactured By:**

Blackwelder Tank  
 Service, Inc.  
 121 Stanton Hill Road  
 Carthage NC 28327  
 Phone 919-718-5181 Fax  
 919-775-2229  
 OR APPROVED EQUAL

### 6" WATER METER VAULT ASSEMBLY

ALL 6" VALVES TO BE OS&Y



IRED ELL WATER CORPORATION  
 P.O. BOX 711  
 571 JENNINGS ROAD  
 STATESVILLE, NC 28687  
 PHONE: (704) 876-0672

6" Meter Vault  
 Traffic  
 Rated